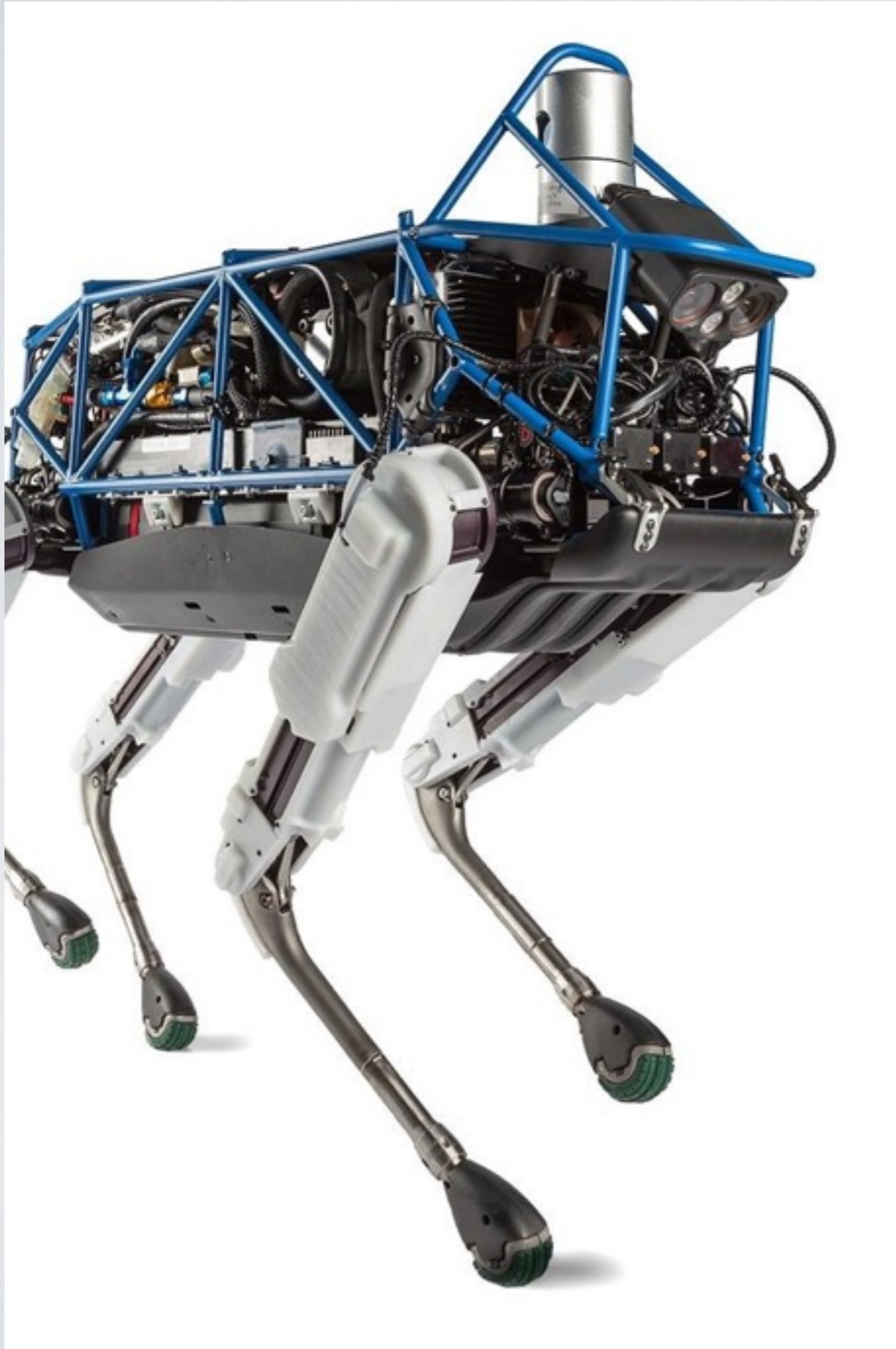


HOW TO JOIN

an innovative company





DJI

Drone startup



ROBOMASTERS

Shenzhen, China

ABSTRACT

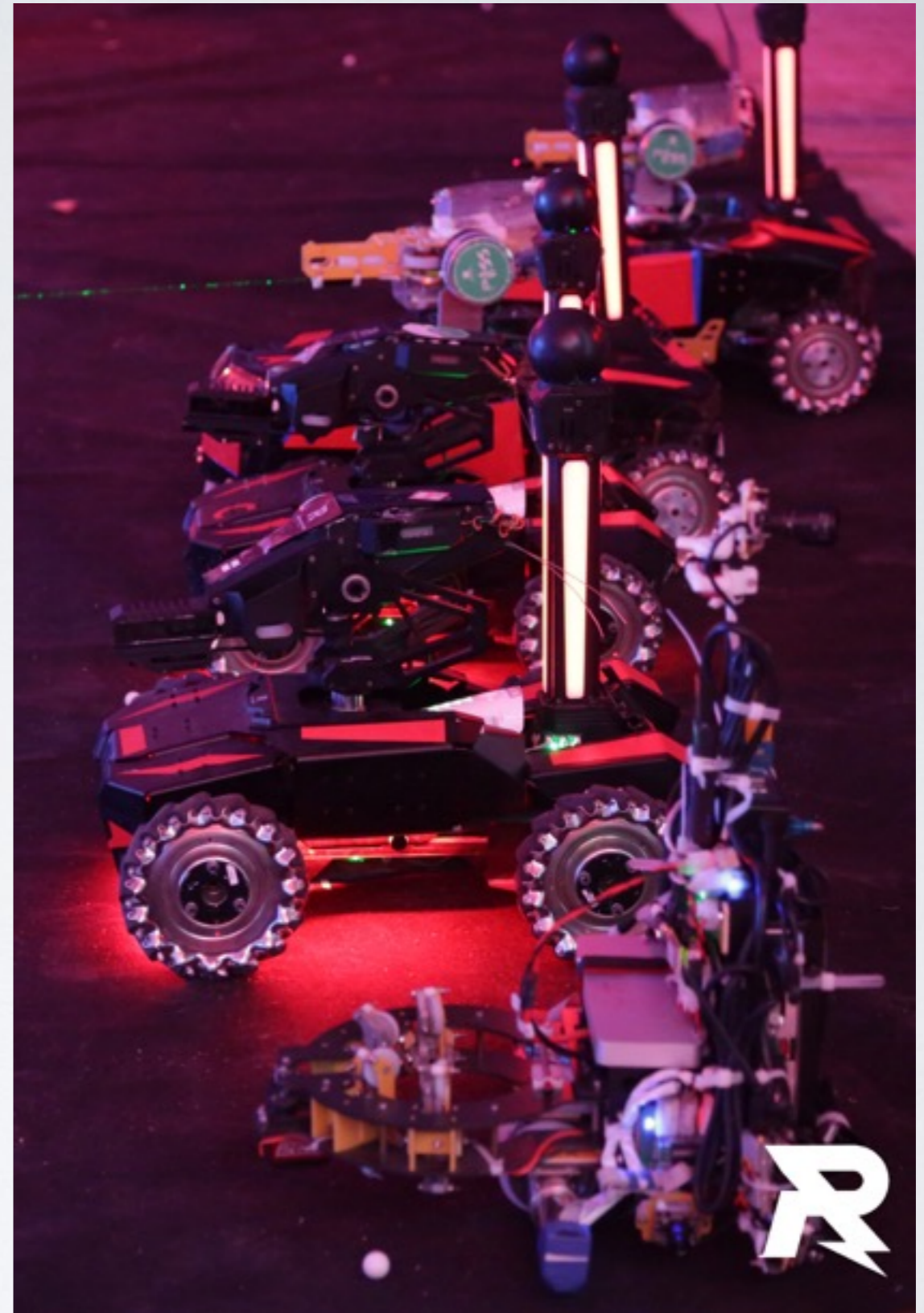
What

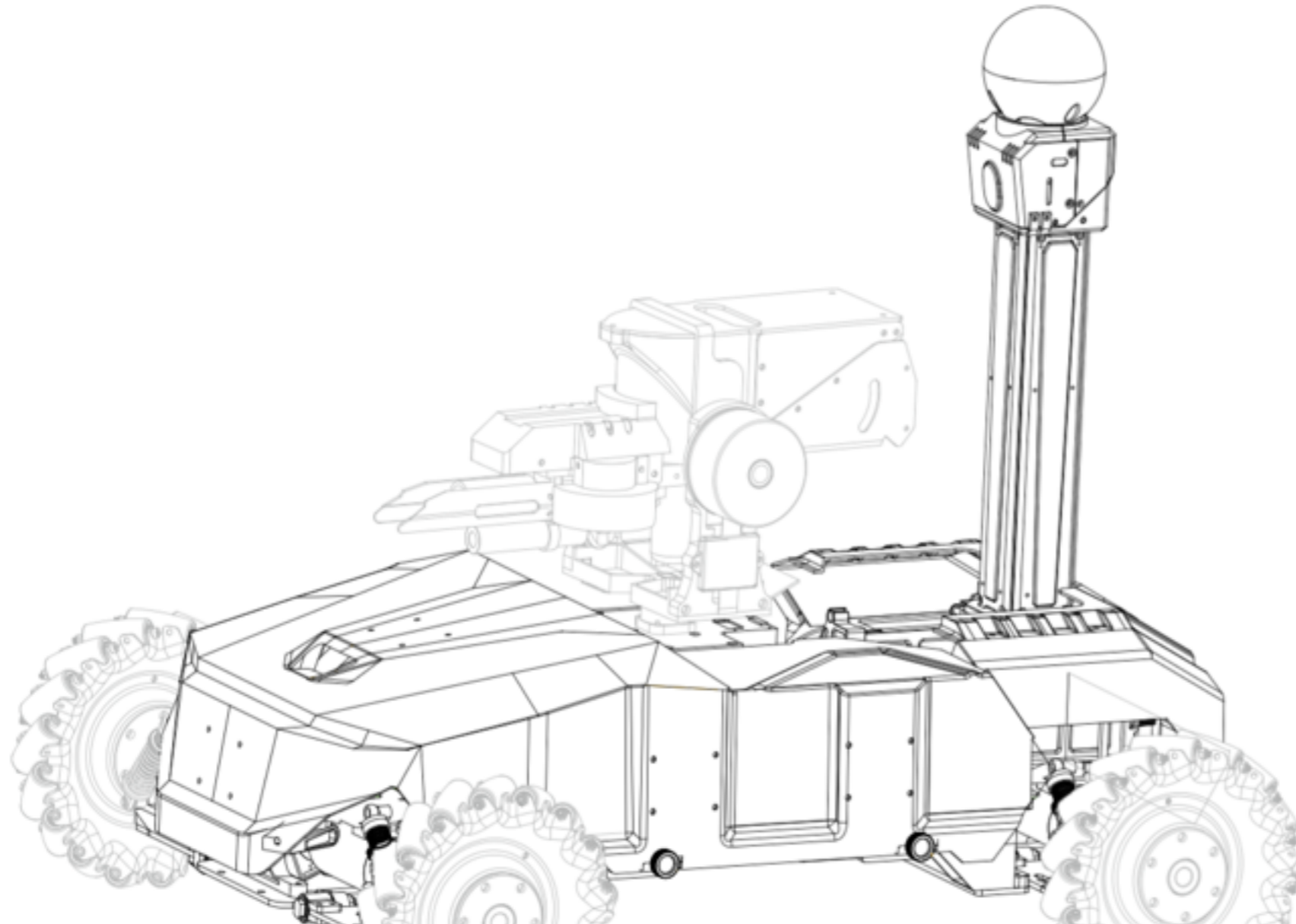
Why

How

Feasibility

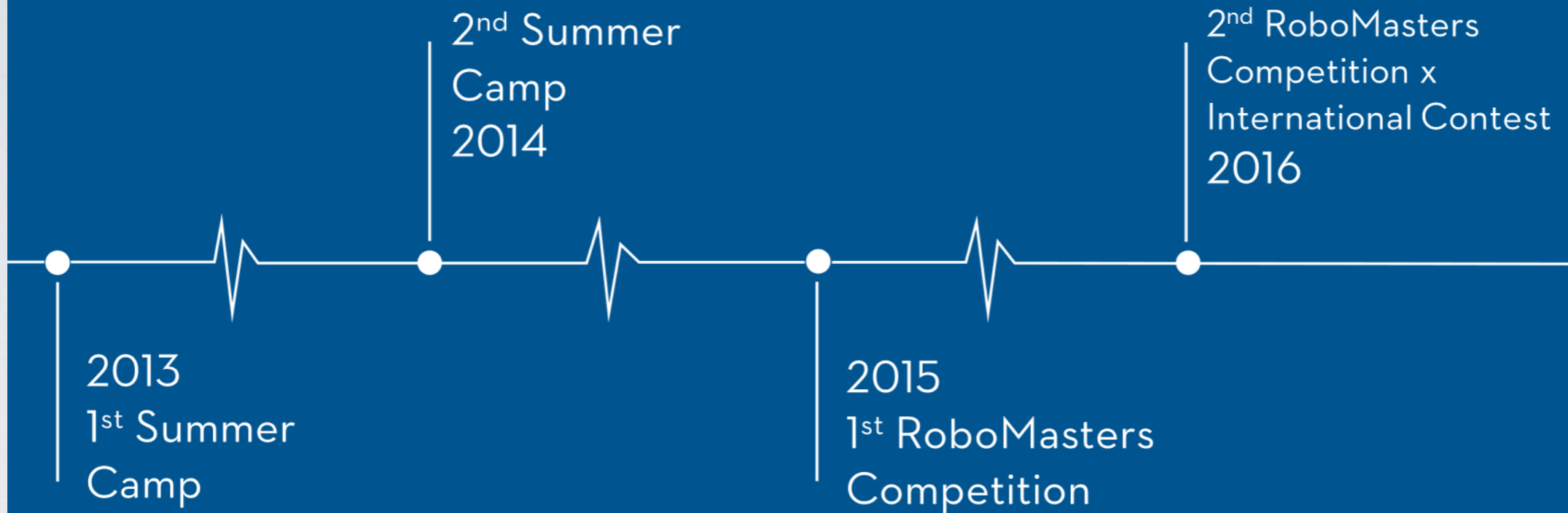
You





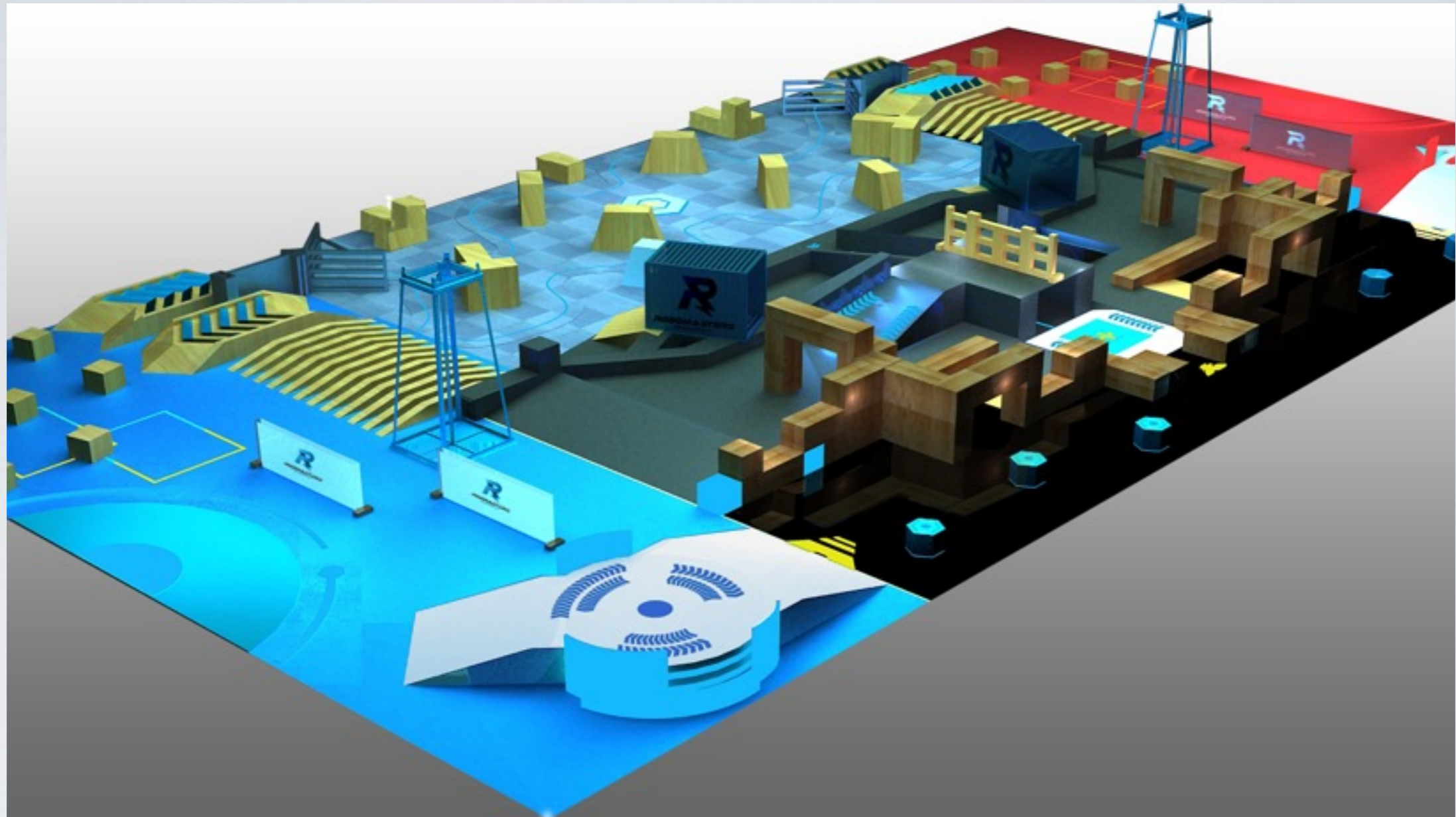
INTRO

What is RoboMasters



HISTORY

Startup competition



BATTLE FIELD

5V5 fast-paced real world competition



MATCH

The wildcard team

WHY

fun

well-promoted

founder showed up

	FEASIBILITY	VALUE
GAME	Is it doable?	Is it worth doing
YOU	Can We do it?	Do We want to do it?

HOW TO WIN

strength and weakness of our team

TECH FEASIBILITY

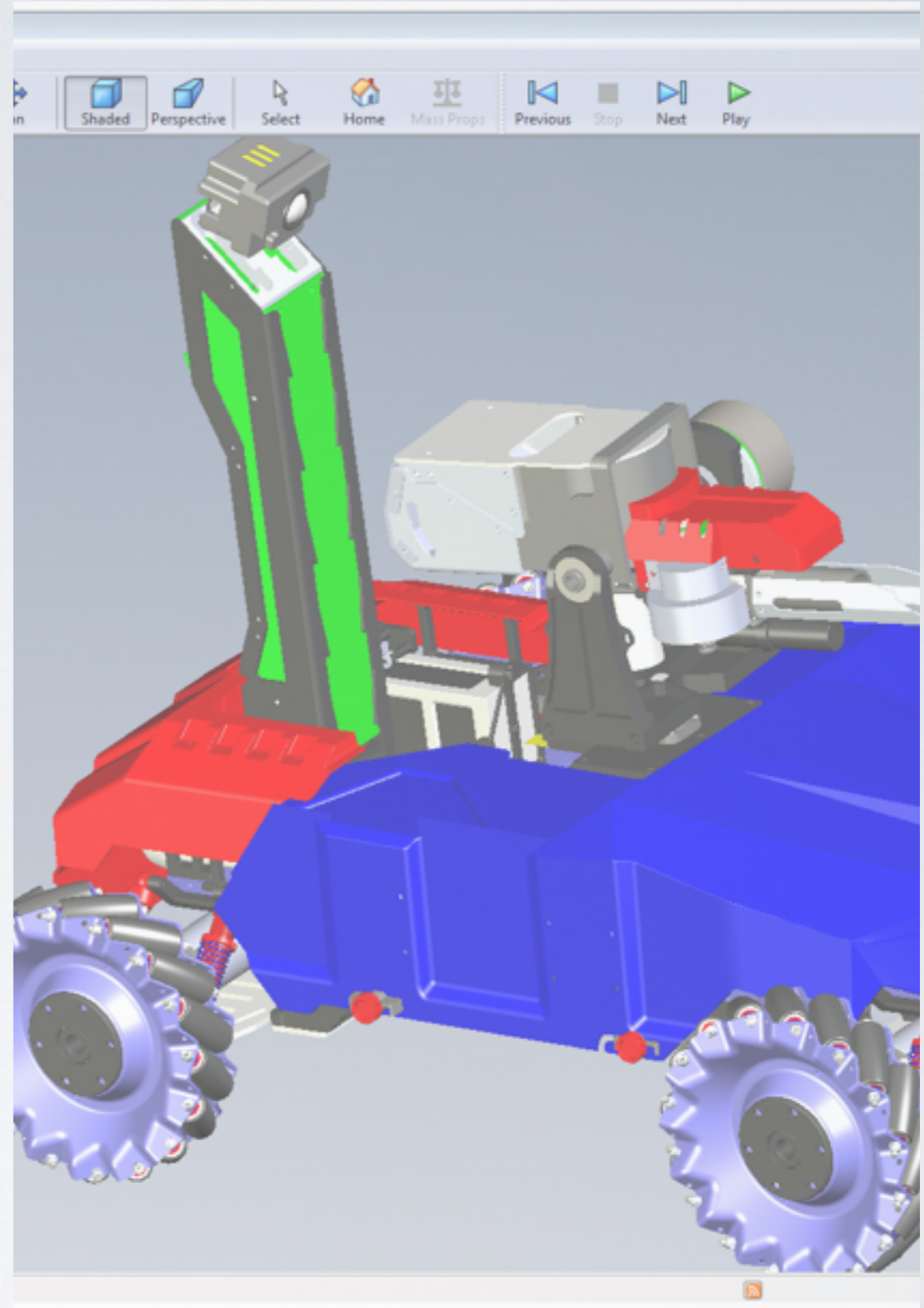
open source

mechanical, electrical, and AI

~~\$ 4500 for electronics~~

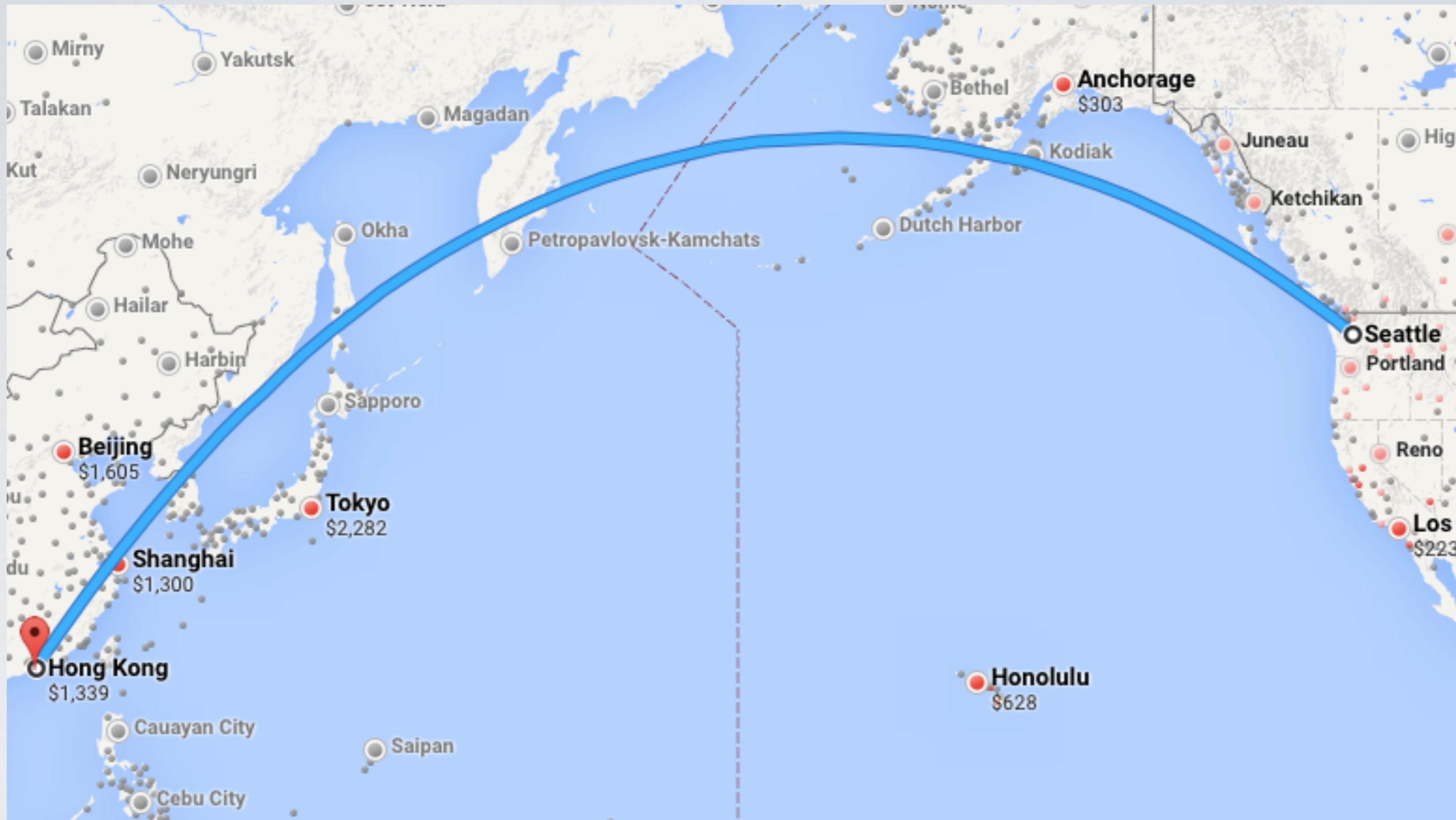
\$ 4500 for mechanics

~~\$ 3000 for AI~~



ADVISOR FEASIBILITY

- Howard Chizeck, UW BioRobotics lab, EE
- Dieter Fox, UW Robotics and State Estimation Lab, CSE
- Joshua Smith, Sensor Systems Lab, CSE & EE
- Emo Todorov, Movement Control Lab, CSE & AMATH
- Maya Cakmak, Human-centered robotics lab, CSE
- Rajesh Rao, Neural Systems lab, CSE



TRAVEL FEASIBILITY

\$1400 to Hong Kong round trip
 \$140 Visa fee at San Francisco
 American passport needs a visa
 Japanese passport travel freely for 15 days
 Taiwanese passport needs a travel document

YOU

Fast learner

Promotor

Game Player

THANKS

For team manager's support
For leadership consensus



JULY

the journey is the reward